



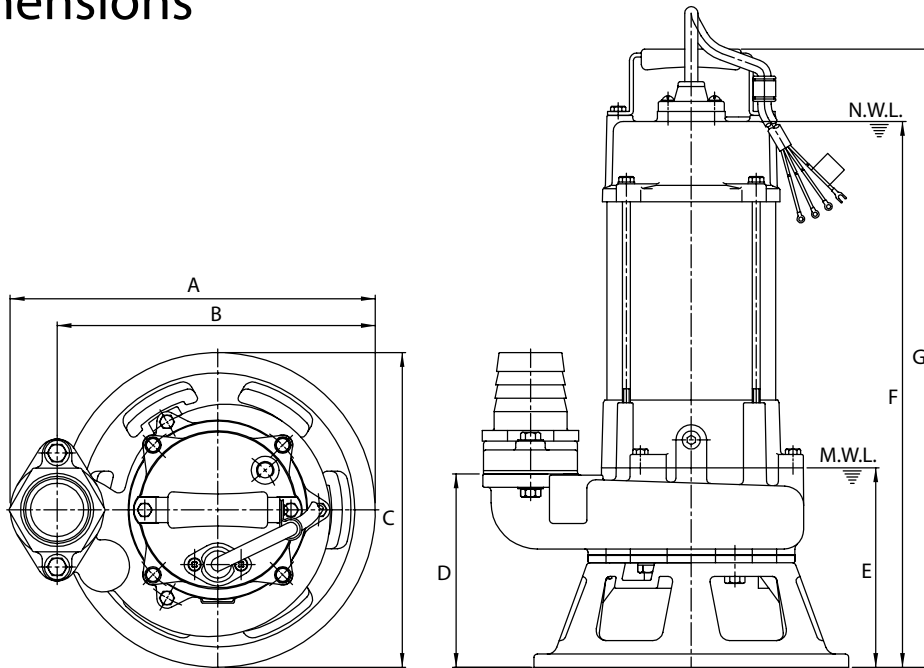
Dimensional Drawing

SSE Models

01/15/2005

SSE-2C-XX-10

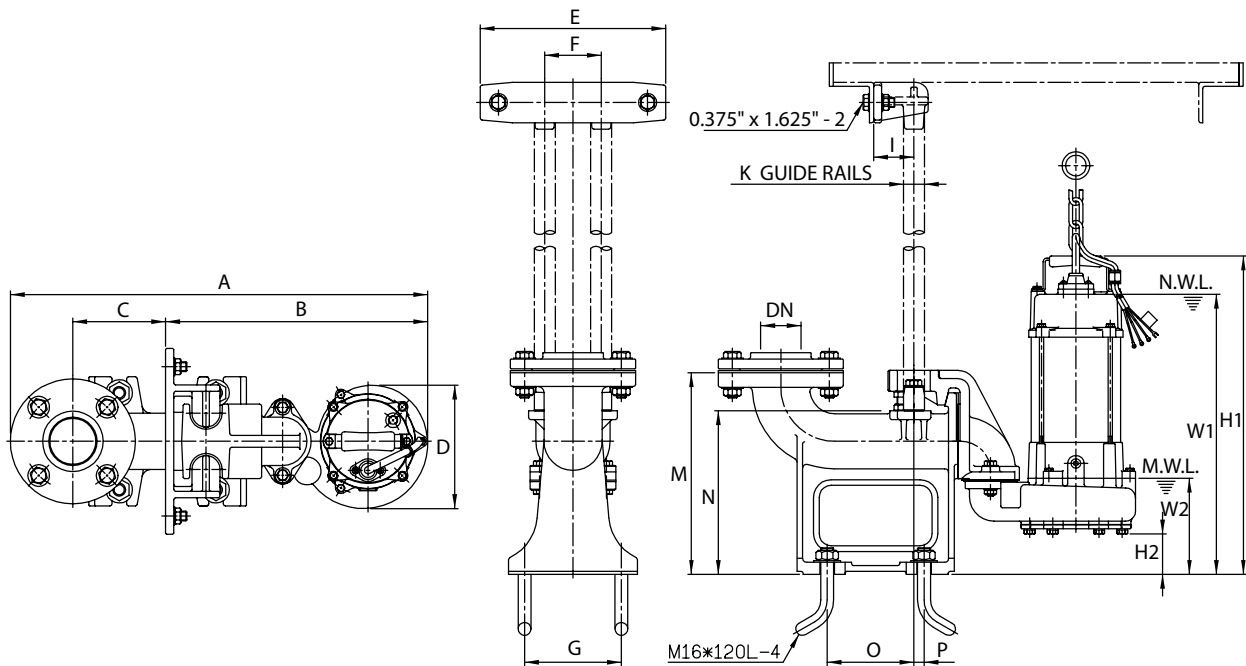
Pump Dimensions



TYPE	A	B	C	D	E	F	G
SSE-2C-XX-10	10.75	9.38	9.25	5.75	5.88	15.25	17.38

N.W.L.: Normal water level
M.W.L.: Minimum water level

Easy Lift GRS - Guide Rail System Dimensions



TYPE	DN	A	B	C	D	E	F	G	I	K	M	N	O	P	W1	W2	H1	H2
SSE-2C-XX-10	2	21.38	17.25	4.50	5.75	9.00	2.75	4.75	2.00	1.00	9.88	8.00	4.25	0.50	14.00	4.75	16.13	2.00

All dimensions are in inches unless otherwise noted.

SSE-2C models must remove base when using Easy Lift GRS - Guide Rail System.